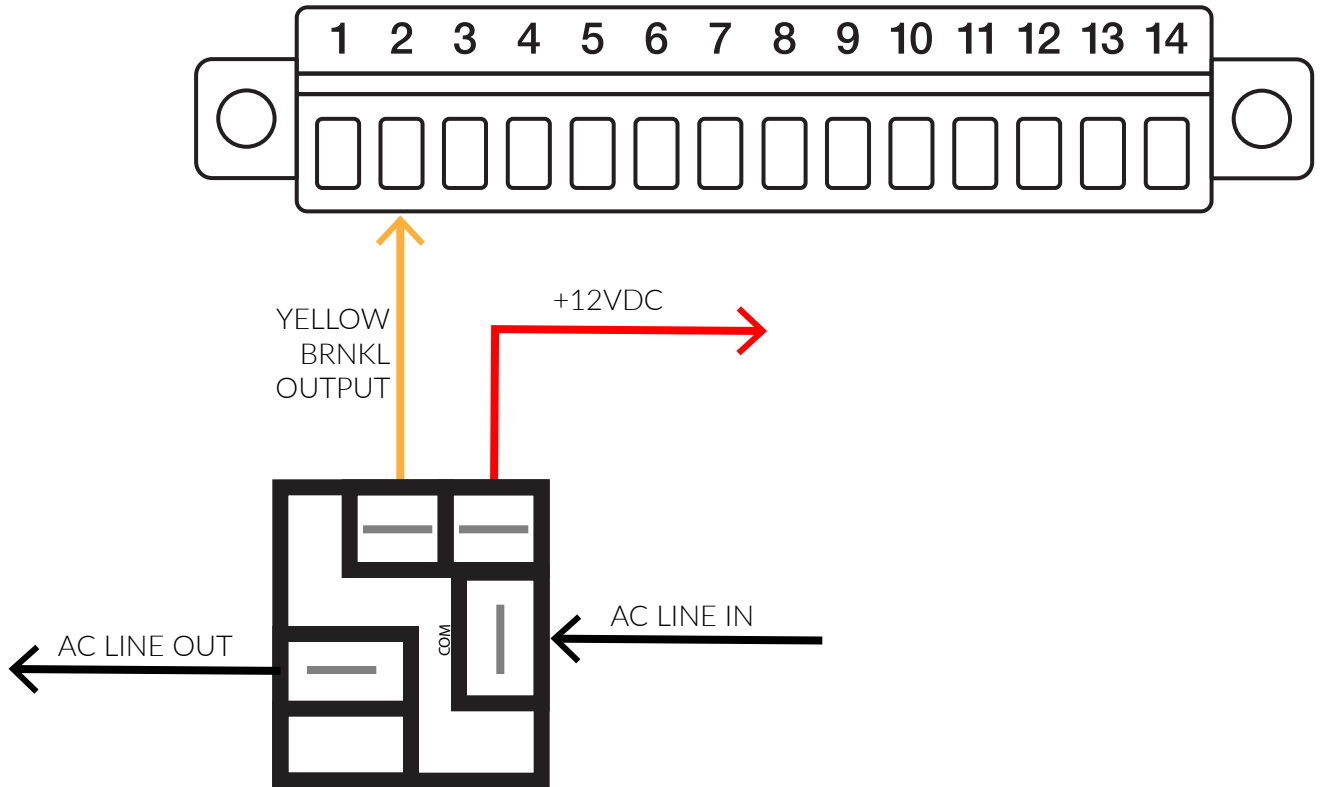




AC Relay Wiring Reference



Notes

- Connect AC Line Out to the AC device that you'd like to control. This output is “Normally Open” and requires the BRNKL output to be triggered for AC power to flow to the controlled device.