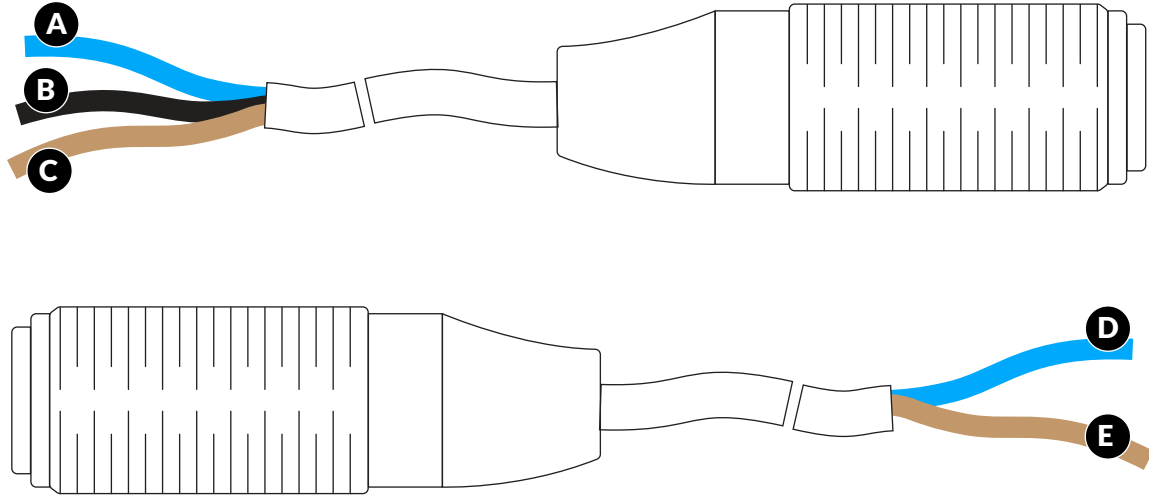














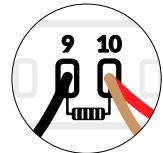
Laser Sensor | 15 m / 50 ft

Connections



LI20C1207:023

Terminal	Connection
A  Blue	 Common ground
B  Black	 BRNKL connector Slot 9 *
C  Brown	 BRNKL connector Slot 10
D  Blue	 Common ground
E  Brown	 12-24V DC fuse-protected power



* Connect any shore power sensor to an alternate slot.
See *Shore Power Connections* for details.

Get more help at brnkl.io/help

