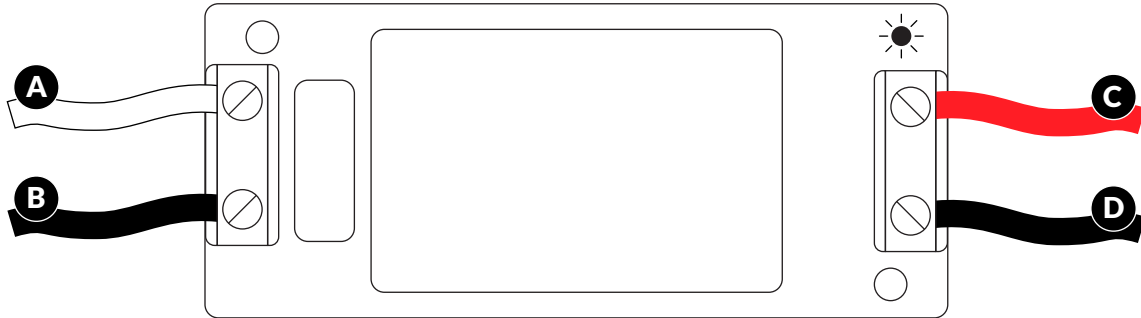












Shore Power Sensor | Hardwired Connections



SPH1007023

Terminal	Connection
A  AC (N)	 AC panel Neutral N
B  AC (L)	 AC panel Line L
C  +Vo	 BRNKL connector Slot 9
	Slot 11 12 13 Alternates
	Slot 4 5 6 7 via DC Device Controller
D  -Vo	 Common ground

Get more help at brnkl.io/help

