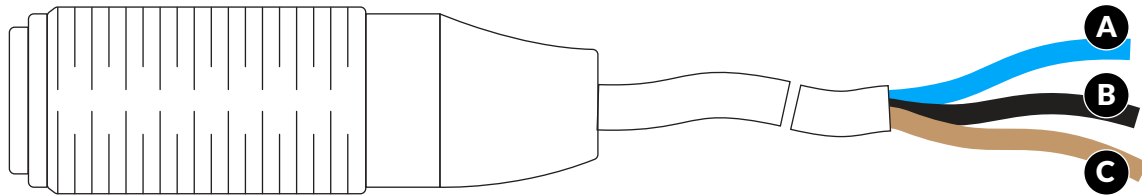











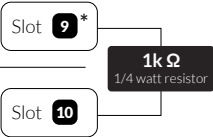
# Laser Sensor | 4 m / 12 ft

## Connections



L4C1207023

| Terminal   | Connection  |
|--|---|
| <b>A</b>  Blue  |  Common ground                   |
| <b>B</b>  Black |  BRNKL connector Slot <b>9</b> * |
| <b>C</b>  Brown |  BRNKL connector Slot <b>10</b>  |



\* Connect any shore power sensor to an alternate slot.  
See *Shore Power Connections* for details.

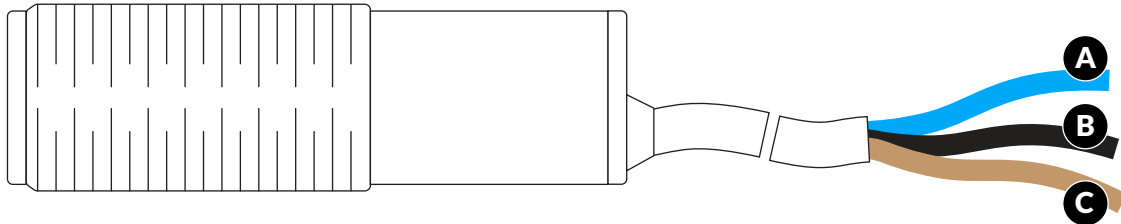
Get more help at [brnkl.io/help](https://brnkl.io/help)












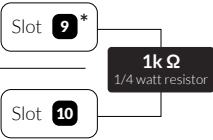
# Laser Sensor | 6 m / 20 ft

## Connections



L6C-1007-023

| Terminal   | Connection  |
|--|---|
| <b>A</b>  Blue  |  Common ground                   |
| <b>B</b>  Black |  BRNKL connector Slot <b>9</b> * |
| <b>C</b>  Brown |  BRNKL connector Slot <b>10</b>  |



\* Connect any shore power sensor to an alternate slot.  
See *Shore Power Connections* for details.

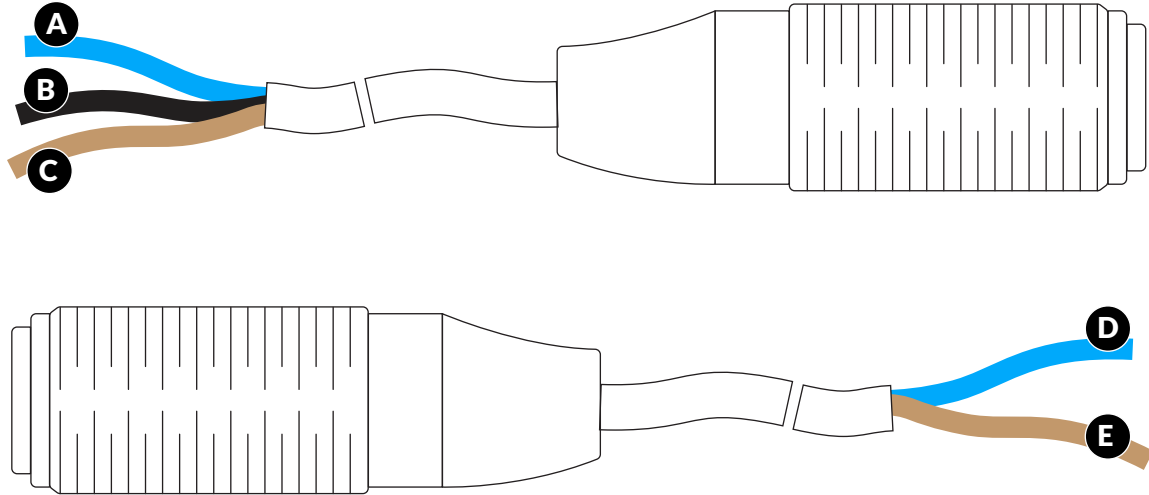
Get more help at [brnkl.io/help](https://brnkl.io/help)















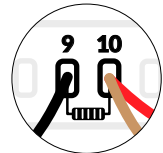
# Laser Sensor | 15 m / 50 ft

## Connections



LI20C1207:023

| Terminal   | Connection  |
|--|---|
| <b>A</b>  Blue  |  Common ground                   |
| <b>B</b>  Black |  BRNKL connector Slot <b>9</b> * |
| <b>C</b>  Brown |  BRNKL connector Slot <b>10</b>  |
| <b>D</b>  Blue  |  Common ground                   |
| <b>E</b>  Brown |  12-24V DC fuse-protected power  |



\* Connect any shore power sensor to an alternate slot.  
See *Shore Power Connections* for details.

Get more help at [brnkl.io/help](https://brnkl.io/help)

