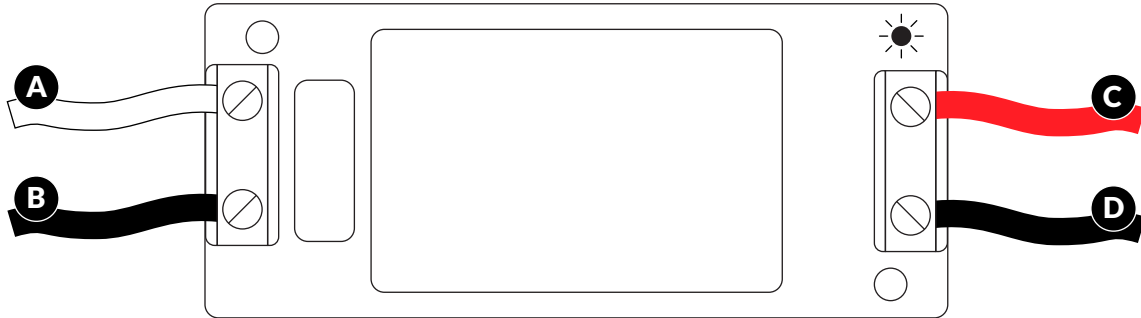












Shore Power Sensor | Hardwired Connections



SPH-C110-023

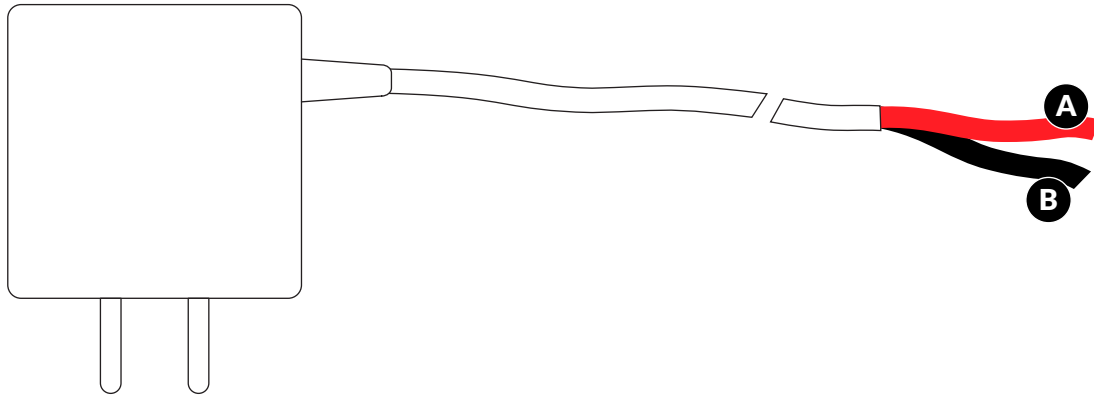
Terminal	Connection
A  AC (N)	 AC panel Neutral N
B  AC (L)	 AC panel Line L
C  +Vo	 BRNKL connector Slot 9
	Slot 11 12 13 Alternates
	Slot 4 5 6 7 via DC Relay
D  -Vo	 Common ground

Get more help at brnkl.io/help









Shore Power Sensor | Plug-in Connections



SPPC1107023

Terminal	Connection
A  Red	 BRNKL connector <input type="text" value="Slot 9"/>
	<input type="text" value="Slot 11 12 13"/> Alternate
	<input type="text" value="Slot 4 5 6 7"/> via DC Relay
B  Black	 Common ground

Get more help at brnkl.io/help

